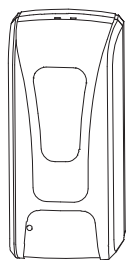
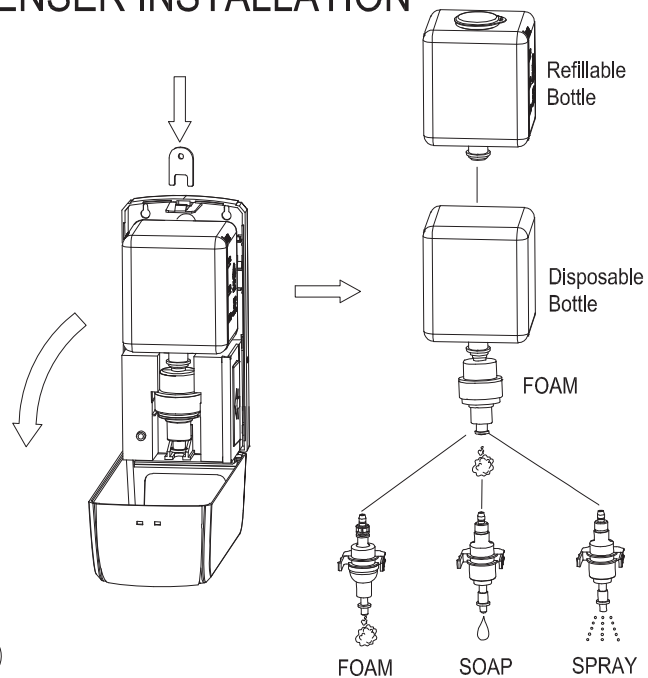


SENSOR FOAM SOAP DISPENSER INSTALLATION



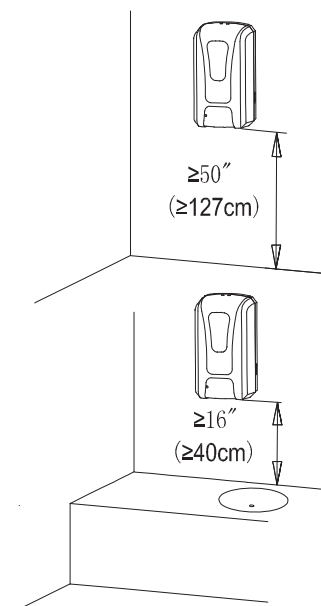
● Size: 13x11.5x27cm

A



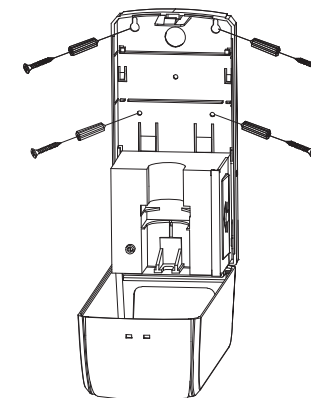
B

Recommended Installation Height



C

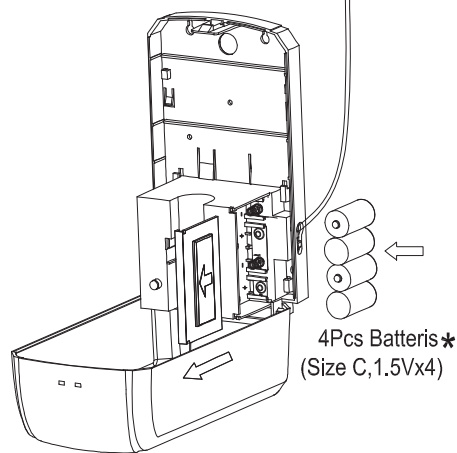
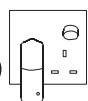
Installation with Screws



D

Install Batteries

Dc Adapter
(6v, 1A, Optional)

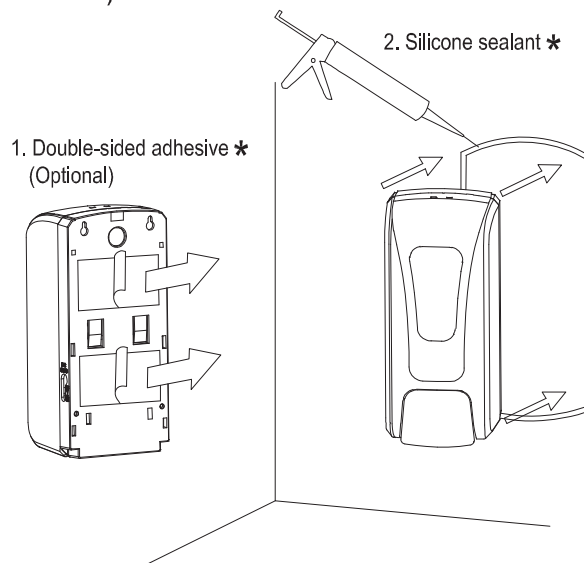


4Pcs Batteris*
(Size C, 1.5Vx4)

E

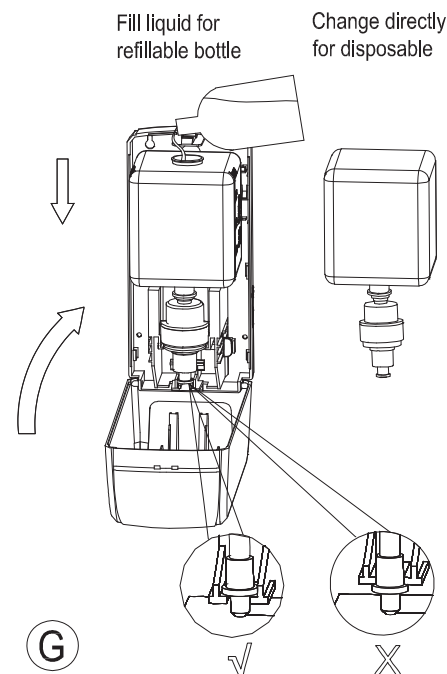
*The Standard Packing is not including DC Adapter and Batteries.

Installation with Adhesive Backing (no screws)



F

* The Standard Packing is not including Dual-Sided adhesive and silicone sealant.



G

- UV disinfection
- Dual color LED: Green is working and Stand-by; Red is low battery alarm;
- Sensing Distance: 8-12cm

H

